

SEA-FIRE DATA SHEET

MODEL RANGE - NFD201- NFD300

Mechanical Characteristics

- Agent: 3M™ Novec™ 1230
- Cylinder capacity: 380 cu in, 6.23 l
- Operating pressure: 500 psig @ 70°F, 34.5 bar @ 21°C
- Pressure switch: electrical contact closed under pressure, opens upon discharge @ 385 psi, 26.5 bar
- Cylinder specification: ISO 7866, TPED 99/36/EC
- Pressure gauge (visual indication of pressure in cylinder)
- System status indicator light included with each system (12 V DC standard)
- Instruction manual included with each system (123-330)
- Manifold: CDA 360 brass with corrosion inhibitor applied

TARE WEIGHTS	LB	KG
AUTOMATIC	10.6	4.8
MANUAL/AUTOMATIC	10.8	4.9

Performance Characteristics

- Actuation temperature: 175°F, 79°C
- Discharge duration: less than 10 seconds
- Design concentration: 5.85%
- Safety factor: 30%
- Operating temperature range: 20°F-130°F, -7°C-54°C

Installation Data

- Bracket assy: 130-251
- Mounting: horizontal or vertical
- Mounting holes: 4X Ø0.39", 1.75" by 8" rectangular pattern

Installation Requirements	(IN) Width	(IN) Height	(IN) Depth	(MM) Width	(MM) Height	(MM) Depth
Automatic	8.0	18.8	8.0	203	478	203
Manual/Automatic	8.0	20.1	8.0	203	511	203

Approvals

FM 3040508, CE

Compliance To:

NFPA 2001, ABYC, Marine ISO-8846, UL2166, FM 5600, 46 CFR, PED 97/23/EC

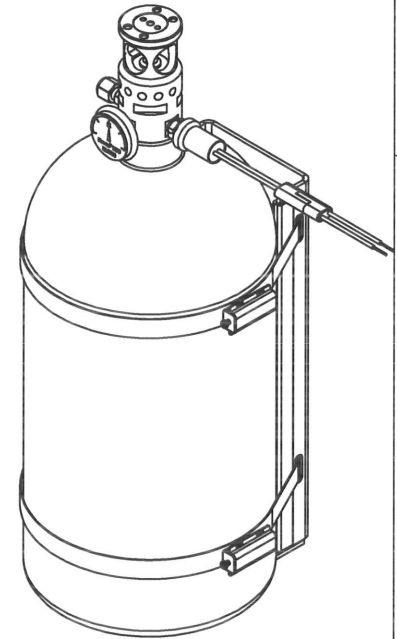
Options

- Pressure switch connector: Delphi (Weather-Pack) male connector, Deutsch (DTP) male connector, Delphi (Weather-Pack) assembly with wire leads
- Manual cable activation: Bi-directional
- System status indicator light: 12VDC std, 24VDC optional
- Pressure relief assembly: 975 psi, 67.2 bar

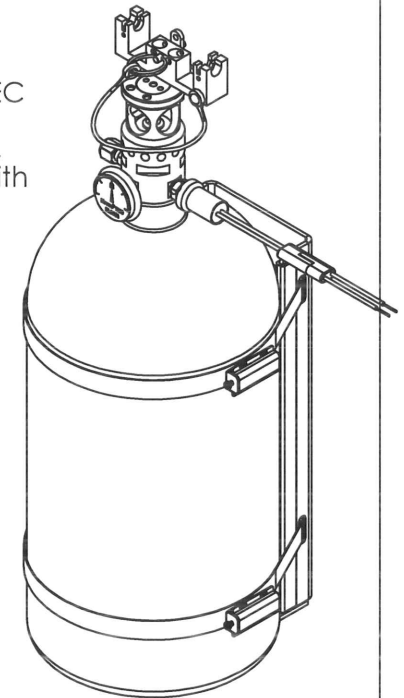
Shipping Data

- Shipping name: Compressed Gas, n.o.s. (nitrogen and flourinated keytone mixture), UN 1956
- Case pack qty: Single

MODEL	NFD 225	NFD 250	NFD 275	NFD 300
(Lb) Agent Weight	12.08	13.43	14.77	16.11
(Kg) Agent Weight	5.49	6.10	6.71	7.32
(Lb) Filled Weight No Bkt	23.10	24.45	25.79	27.13
(Kg) Filled Wgt No Bkt	10.50	11.11	11.72	12.33
(Lb) Inst Wgt W/ Bkt	26.80	28.15	29.49	30.83
(Kg) Inst Wgt W/ Bkt	12.18	12.80	13.40	14.01
(Lb) Shipping Weight	31.30	32.65	33.99	35.33
(Kg) Shipping Wgt	14.23	14.84	15.45	16.06



AUTOMATIC



MANUAL/AUTOMATIC

510-097



9331-A PHILADELPHIA ROAD
BALTIMORE, MD 21237 U.S.A.
www.sea-fire.com

PHONE (410) 687-5500
FAX (410) 687-5503

DOCUMENT DISTRIBUTION
THIS DOCUMENT IS INTENDED FOR GENERAL DISTRIBUTION AND MAY BE SHARED FULLY

4.5-6 REV B

COMPONENT: CYLINDER ASSEMBLY
AUTOMATIC & MANUAL/AUTO
NFD201 - NFD300 (CE)

SCALE: 1:5

ENGR APPR: *08*

DATE: 5/31/12

DATE: 4/24/12

DRAWN BY: J. PIPPIN

REVISION: C

PART NO.: 510-097