

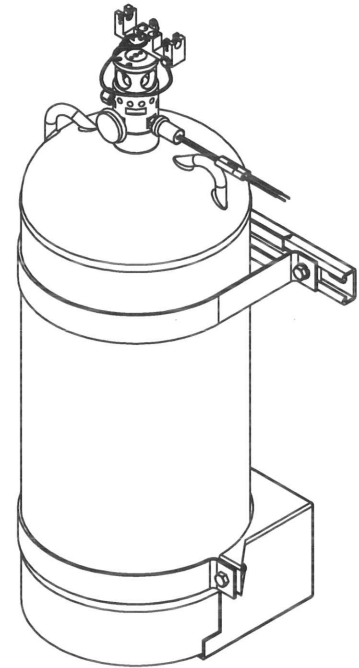
SEA-FIRE DATA SHEET

510-217

MODEL RANGE - NFD826- NFD1250

Mechanical Characteristics

- Agent: 3M™ Novec™ 1230
- Cylinder capacity: 1600 cu in, 26.2 l
- Operating pressure: 500 psig @ 70°F, 34.5 bar @ 21°C
- Pressure switch: electrical contact closed under pressure, opens upon discharge @ 385 psi, 26.5 bar
- Cylinder specification: EN 13322-1, TPED 99/36/EC
- Pressure gauge (visual indication of pressure in cylinder)
- System status indicator light included with each system (12 V DC standard)
- Instruction manual included with each system (123-330)
- Manifold: CDA 360 brass with corrosion inhibitor applied
- Manual cable activation: Bi-directional (required)
- Pressure relief assembly: 975 psi, 67.2 bar



MANUAL/
AUTOMATIC

TARE WEIGHTS	LB	KG
MANUAL/AUTOMATIC	44.2	20.1

Performance Characteristics

- Actuation temperature: 175°F, 79°C
- Discharge duration: less than 10 seconds
- Design concentration: 5.85%
- Safety factor: 30%
- Operating temperature range: 32°F-130°F, 0°C-54°C

Installation Data

- Bracket assy: 130-009
- Mounting: Vertical only
- Reference 130-009 data sheet for appropriate mounting information

Installation Requirements	(IN) Width	(IN) Height	(IN) Depth	(MM) Width	(MM) Height	(MM) Depth
Manual/Automatic	16.5	30.7	11.3	419	780	287

Approvals

FM 3040508, CE

Compliance To:

NFPA 2001, ABYC, Marine ISO-8846, UL2166, FM 5600, 46 CFR, PED 97/23/EC

Options

- Pressure switch connector: Delphi (Weather-Pack) male connector, Deutsch (DTP) male connector, Delphi (Weather-Pack) assembly with wire leads
- System status indicator light: 12VDC std, 24VDC optional

Shipping Data

- Shipping name: Compressed Gas, n.o.s. (nitrogen and flourinated keytone mixture), UN 1956
- Case pack qty: Single

MODEL	NFD 850	NFD 875	NFD 900	NFD 925	NFD 950	NFD 975	NFD 1000	NFD 1025	NFD 1050	NFD 1075	NFD 1100	NFD 1125	NFD 1150	NFD 1175	NFD 1200	NFD 1225	NFD 1250
(Lb) Agent Wgt	45.65	46.99	48.33	49.67	51.02	52.36	53.70	55.04	56.39	57.73	59.07	60.41	61.76	63.10	64.44	65.78	67.13
(Kg) Agent Wgt	20.75	21.36	21.97	22.58	23.19	23.80	24.41	25.02	25.63	26.24	26.85	27.46	28.07	28.68	29.29	29.90	30.51
(Lb) Filled Wgt No Bkt	90.80	92.14	93.48	94.81	96.16	97.50	98.84	100.18	101.53	102.87	104.20	105.54	106.89	108.23	109.57	110.91	112.25
(Kg) Filled Wgt No Bkt	41.27	41.88	42.49	43.10	43.71	44.32	44.93	45.54	46.15	46.76	47.36	47.97	48.59	49.20	49.80	50.41	51.02
(Lb) Inst Wgt W/ Bkt	102.40	103.74	105.08	106.41	107.76	109.10	110.44	111.78	113.13	114.47	115.80	117.14	118.49	119.83	121.17	122.51	123.85
(Kg) Inst Wgt W/ Bkt	46.55	47.15	47.76	48.37	48.98	49.59	50.20	50.81	51.42	52.03	52.64	53.25	53.86	54.47	55.08	55.69	56.30
(Lb) Shipping Wgt	112.40	113.74	115.08	116.41	117.76	119.10	120.44	121.78	123.13	124.47	125.80	127.14	128.49	129.83	131.17	132.51	133.85
(Kg) Shipping Wgt	51.09	51.70	52.31	52.91	53.53	54.14	54.75	55.35	55.97	56.58	57.18	57.79	58.40	59.01	59.62	60.23	60.84

9331-A PHILADELPHIA ROAD
BALTIMORE, MD 21237 U.S.A.
www.sea-fire.com

PHONE (410) 687-5500
FAX (410) 687-5503

	DATE: 4/24/12
DOCUMENT DISTRIBUTION <small>THIS DOCUMENT IS INTENDED FOR GENERAL DISTRIBUTION AND MAY BE SHARED FULLY</small>	CYLINDER ASSEMBLY COMPONENT: AUTOMATIC & MANUAL/AUTO NFD826 - NFD1250 (CE)
4.5-6 REV B	DRAWN BY: J. PIPPIN REVISION: B
SCALE: 1:8	ENGR APPR: <i>DJ</i> DATE: 5/3/12
	PART NO.: 510-217